



Medium Duty Integrated Electric Drive Unit “EDU200”

PRODUCT OVERVIEW:

EDU200 is an induction motor with integrated gear reduction, desired for heavy duty electric hybrid vehicle and off-road application. High efficiency, power and torque density induction liquid cooled motor with integrated in-line gear planetary reduction unit with Dana Spicer Yoke interface. High efficiency Induction Motor design with integrated sensor and cooling. The unique design and control allow wide dynamic speed operation. The motor is offered for both medium voltage of 250-450V_{DC} or high voltage of 450-700V_{DC}.

FEATURES:

- High Torque/power Density,
- Efficiency: 93%.
- 4-Quadarant Operation Motoring and Generation
- Integrated Gear Reduction 2.72:1, In-line planetary Type.
- Plug-N-Play with CEU200 (sold as a drive set only)
- Wide Dynamic speed range 3:1



APPLICATIONS:

Electric drive system for class 4-6 commercial vehicles and Medium duty off-road applications.

PART NUMBERING:

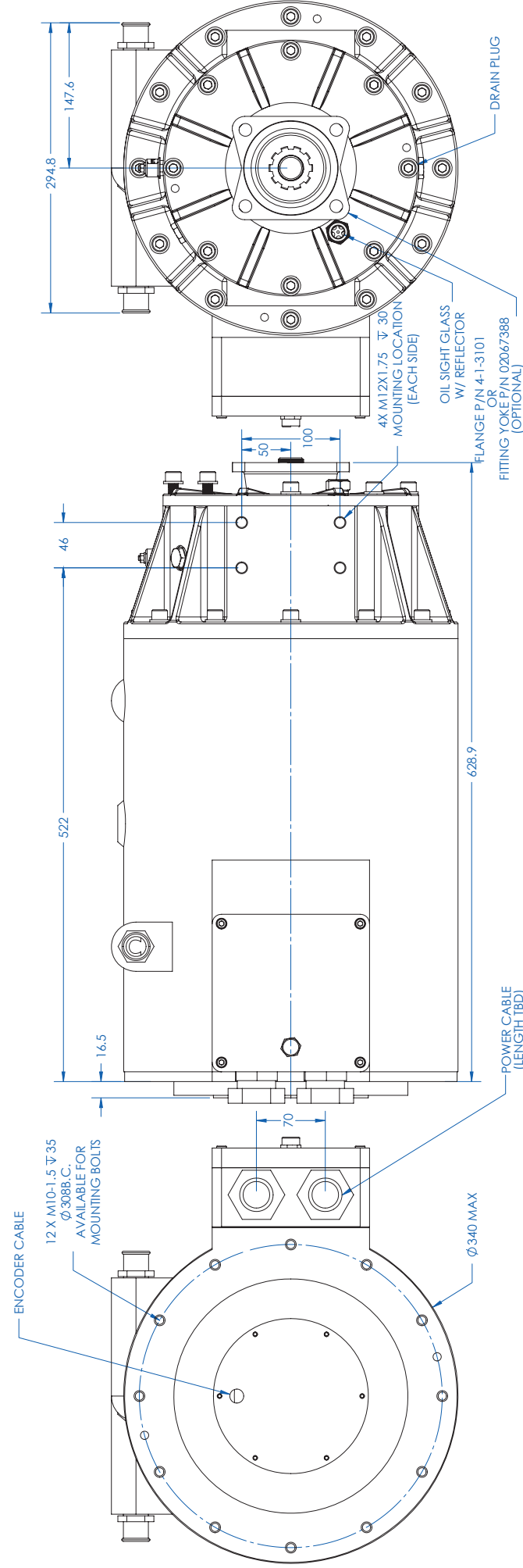
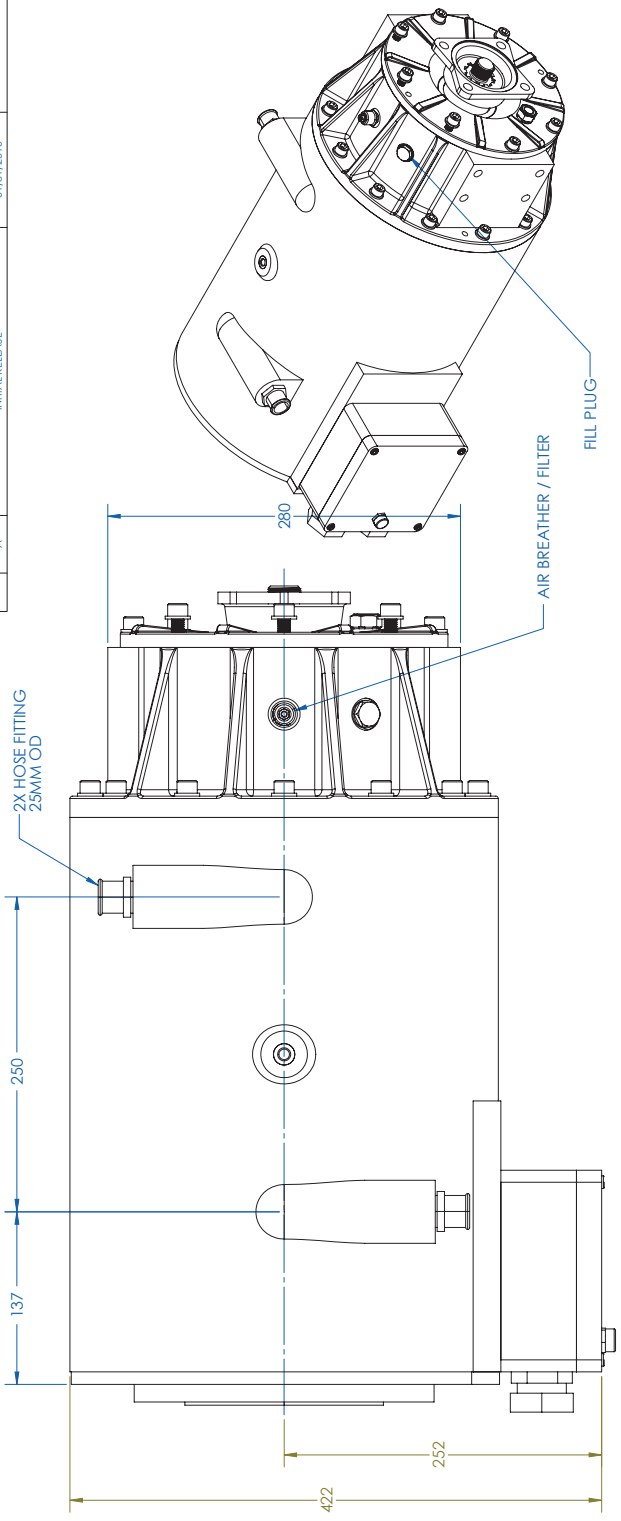
EDU200 □ □ □ □

Input Voltage
M: 250-450V_{DC}
H: 450-700V_{DC}

Rsvd

Motor Type	Induction Motor
Torque (Motor Shaft) Torque (Gear Box Shaft)	815 Nm 2215 Nm
Power	200kW peak, 85kW continuous
Speed (Motor Shaft) Speed (Gear Box Out)	7200 RPM (FWD or REV) 2645 RPM (FWD or REV)
Weight	176 kg
Input Voltage (See CEU160)	MV: 250-450 V _{DC} HV: 450-700 V _{DC}
Cooling	-40 °C to 65°C (50/50 WEG, 1" fitting)
Shaft Flange	DANA 4-1-3101 or Rockford 02067368
Efficiency	93%
Isolation resistance	> 1 MΩ at 700V _{DC}
Parking Brake	ZEMARC (Optional)
Environment	IP65 rated (IP-67 optional)
Mounting	Integrated Flange
Gears	2.72:1, planetary type
Installation	±3.5° Vertical plane, ±10° Horizontal

REVISIONS		DATE	APPROVED
ZONE	REV.		
	A	01/31/2010	
DESCRIPTION			
INITIAL RELEASE			



- NOTES: UNLESS OTHERWISE SPECIFIED:
1. COOLANT: 50/50 ETHYLENE GLYCOL / WATER, 16 LITERS / MIN., 60°C MAX INLET TEMP.
 2. GEAR RATIO: 72:1
 3. GEAR MOUNTING ANGLE: +10.0° HORIZONTAL PLANE, +3.5° VERTICAL PLANE.
 4. CABLE LENGTH TO BE DETERMINED PER VEHICLE APPLICATION.
 5. REAR BOLTS AVAILABLE FOR MOUNTING (USE MINIMUM 4 BOLTS)

10-03-12 ED06000DA
DWG

DATE

US HYBRID

TITLE: 200KW MOTOR DRIVE OUTLINE & MOUNTING

NAME	DATE
F. ERICSON	10-03-12
DRAWN	CHECKED
ENG APPR.	MEG APPR.
G.A.	

PROPRIETARY AND CONFIDENTIAL
THIS DRAWING IS THE SOLE PROPERTY OF US HYBRID. ANY REPRODUCTION IN ANY FORM WITHOUT WRITTEN PERMISSION OF US HYBRID IS PROHIBITED.

SCALE: 1:3

SHEET 1 OF 1