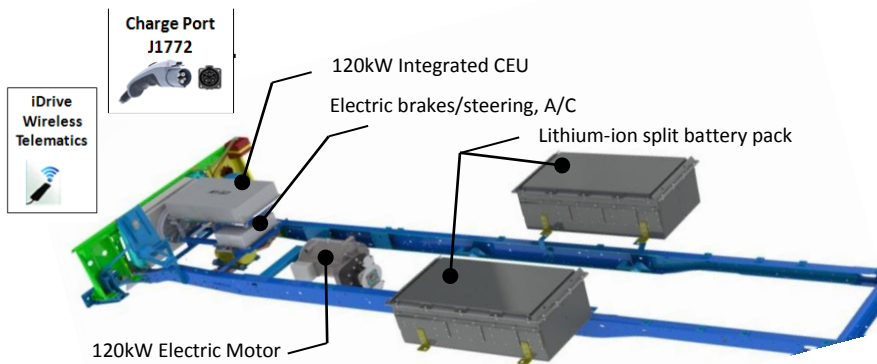


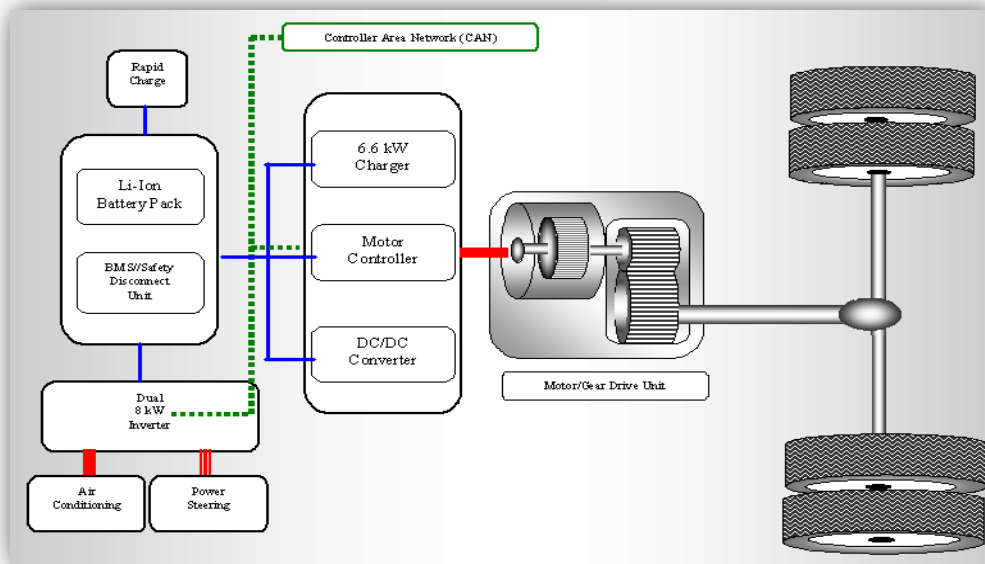
In Production

# US Hybrid

## eCargo™



**Battery Electric Powertrain Diagram**





## eCargo™ Specification

### Overall Vehicle Specifications

GVWR	4,536kg/10,000lbs
Wheel Base	138"
Interior and Seating	Driver Seat, Passenger Jump Seat
OEM Manufacturer and Model	Utilimaster, Aeromaster FT 1261 Walk-In
Body	Aluminum Body
Chassis	P42 Workhorse

### Vehicle Performance Specifications

Range Battery Electric	120km/75 miles
Top Speed	104 KPH/65 MPH
Acceleration 0-44 MPH	10.4sec

### Energy Storage Specifications

Battery Cells Type	Li-Ion (18650)
Battery Pack Weight	423kg/929lbs
Battery Voltage	358V Nominal
Battery Max Power	130kW
Battery Energy	35.84kWhr

### Direct Electric Traction Drive System Specifications

Motor Type	AC Induction with Integrated Gear Reduction
Traction Drive Power	120kW
Motor with Integrated Gear Unit Weight	218kg/480lbs
Integrated Traction Inverter Power	120kW
Integrated Traction Inverter Weight	47kg/105lbs
Charger- Integrated	J1772-Level II, 6.6kW
Control, Communication and Diagnostics	J1939, CAN

### Auxiliary Systems Specifications

DC/DC Converter	13.8V, 200A
Air Conditioning	Electric driven 70,000 BTU, Rear Ceiling Mounted
Electro-hydraulic Power Steering	Integrated